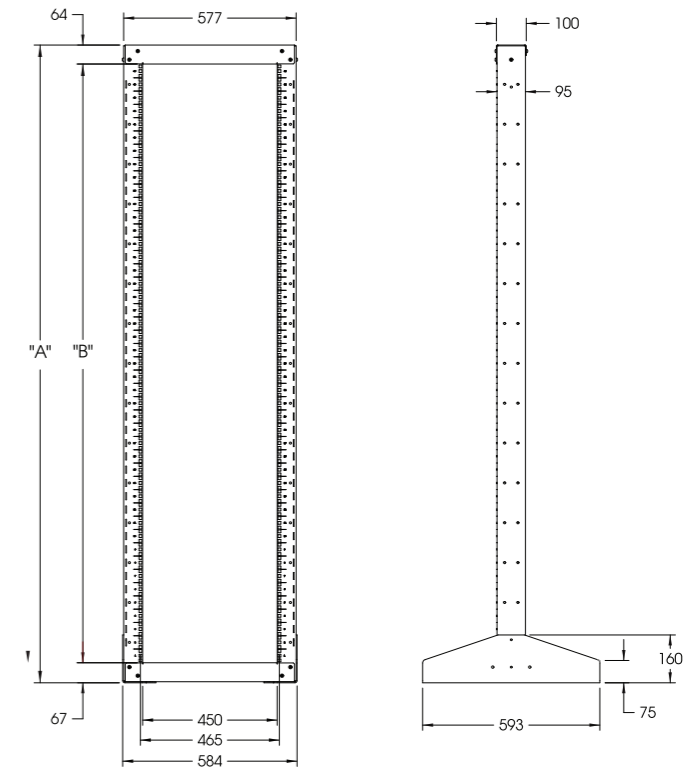
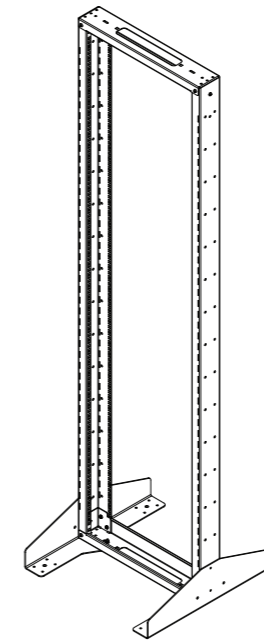


Features

- Sturdy all steel construction
- "U" marks printed on rails.
- Square 9.50mm holes accept standard caged nuts.
- Bolts directly to floor
- Optional shelves for two post version
- Four post version can use casters to be free standing on floor.
- Four post version depth adjustable

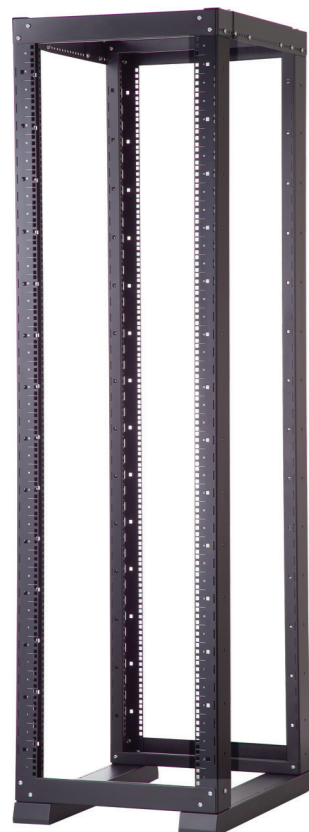
Our Standard Configurations

- Available in two or four post versions
- Heights : 27, 42 and 45U
- Color: Low gloss textured black
- Packing can be bulk packed or kitted.




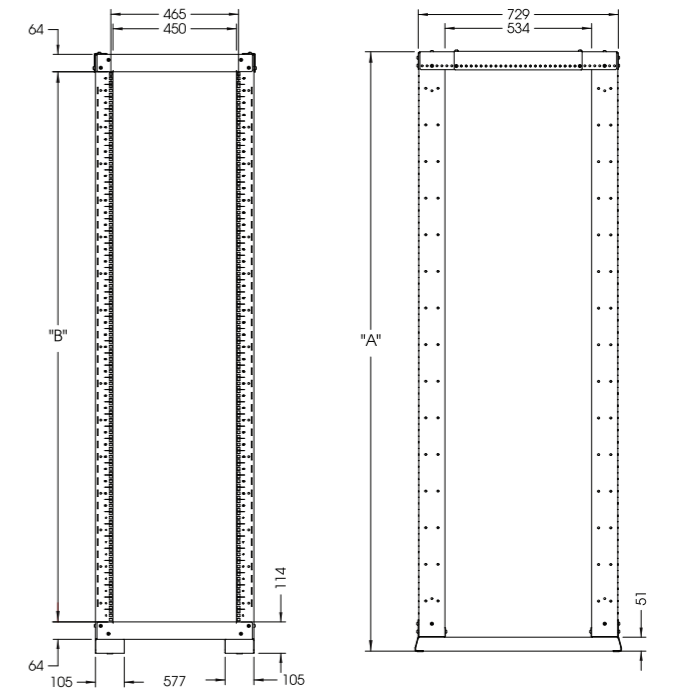
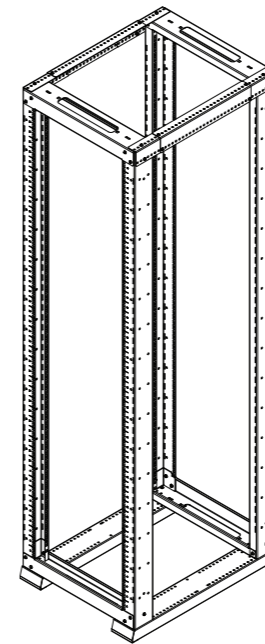
MODEL	REF. "A"	REF. "B"
39U	1867	1737
42U	2000	1870
45U	2134	2003

Dimension in mm.



Industry Standards and Materials

- Dimensions conform to EIA-310E and IEC-60297-1, 2.
- Premium grade hot and cold rolled steel.
- Designed and manufactured under ISO 9001:2008 and ISO 14001:2004
- Five stage iron-phosphate pretreatment with powder coat finish. Tested to 500 hours salt spray under ASTM-D610-01 and ASTM-B117.
- All materials RoHS compliant. 



MODEL	REF. "A"	REF. "B"
39U	1919	1737
42U	2053	1870
45U	2186	2003

Dimension in mm.

