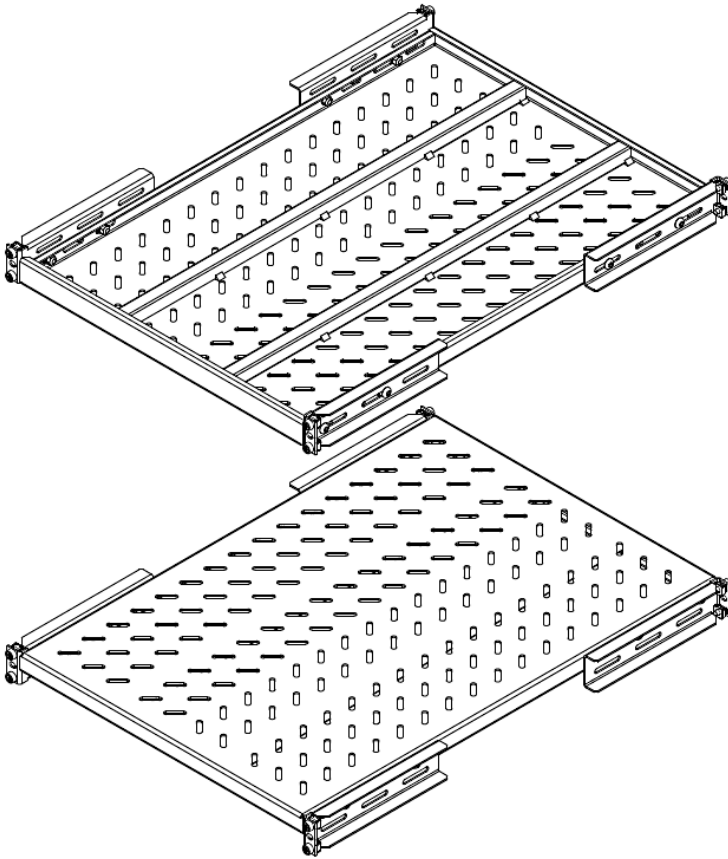


19" Adjustable Vented Shelf Heavy duty



Product Information

For added versatility and accessibility, our 19" Adjustable vented shelf Heavy duty are the answer.

Features

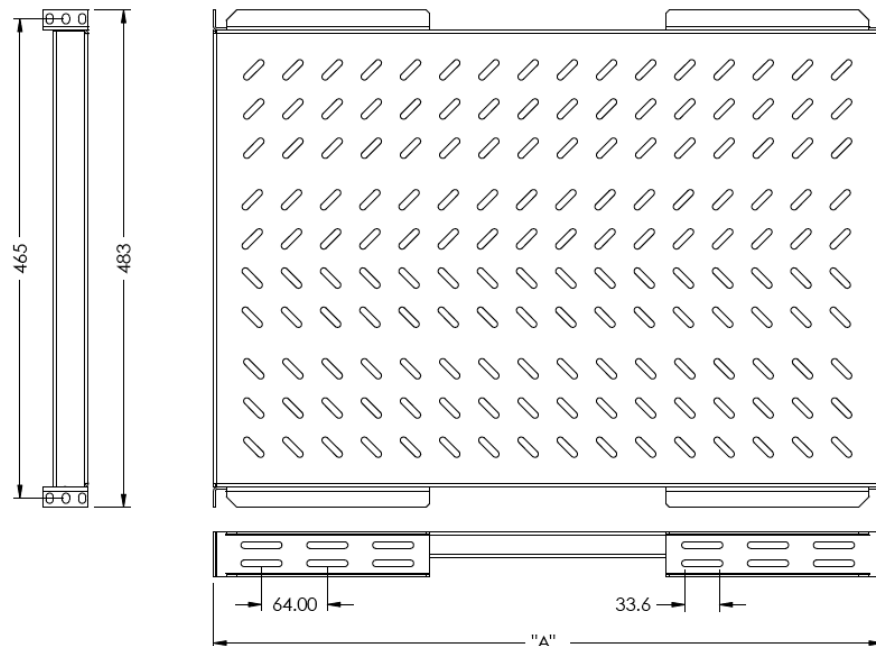
- Adjustable Depth for installation
- Available in 700 - 800 mm
- 150 kg load rate
- RoHS compliance
- Conforms to ASTM D610-01 and ASTM B117 (500 hours salt spray test)

Materials/Finish

- High grade cold rolled steel 2.00 mm thickness.
- Powder coat finish preceded by 5 stage iron phosphate pretreatment.
- Standard color is low gloss black. Special colors upon request

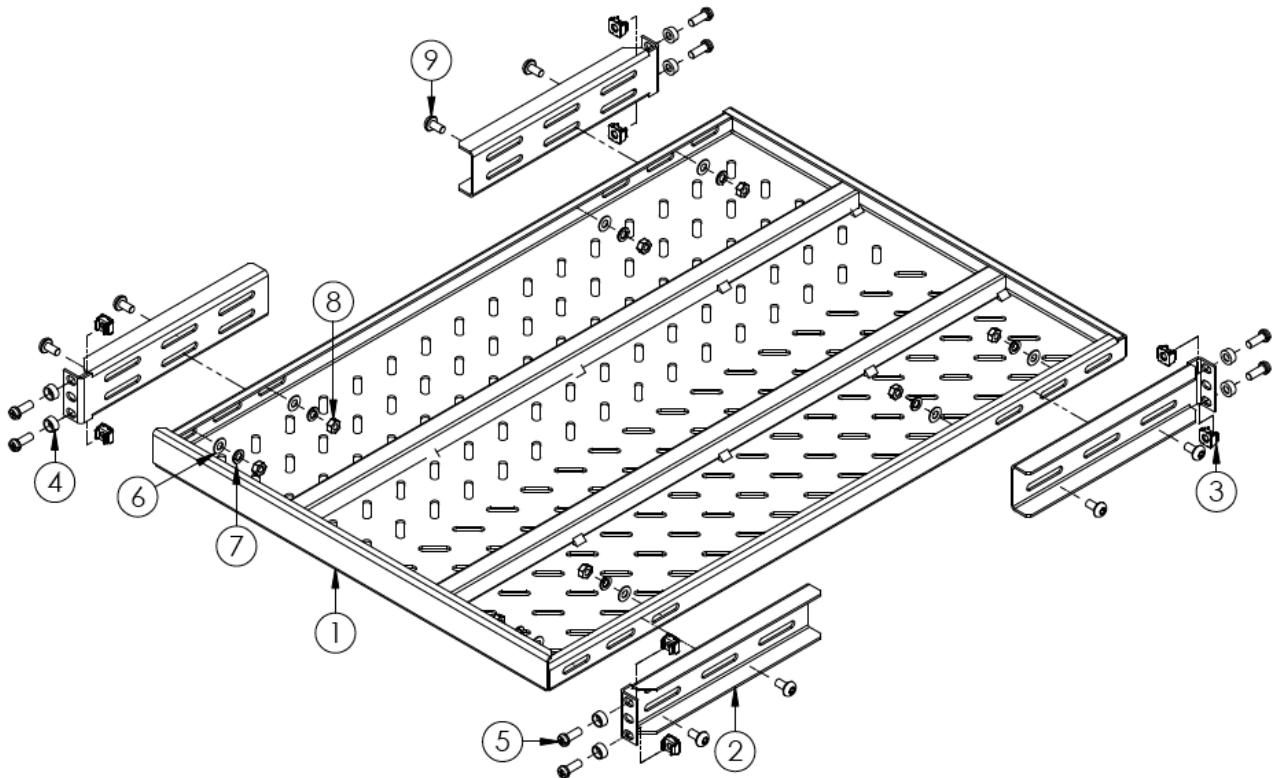
| Part Code | Description | "A" | Max. "A" |
|-------------|--|-----|----------|
| SVFHD700BLK | 19" Adjustable Vented Shelf Heavy Duty 700 Black | 700 | 800 |
| SVFHD750BLK | 19" Adjustable Vented Shelf Heavy Duty 750 Black | 750 | 850 |
| SVFHD800BLK | 19" Adjustable Vented Shelf Heavy Duty 800 Black | 800 | 900 |

Dimensions



Note : Unit in mm.

Part List



| Description | Quantity |
|---|----------|
| 1. 19" Adjustable vented shelf Heavy duty | 1 piece |
| 2. 19" Adjustable Mounting Bracket | 4 pieces |
| 3. Caged Nut M6 | 8 pieces |
| 4. Plastic Cup washer M6 | 8 pieces |
| 5. Phillips M6x16 pan Screw | 8 pieces |
| 6. Flat washer M6 | 8 pieces |
| 7. Washer Lock M6 | 8 pieces |
| 8 Flange Nut M6 | 8 pieces |
| 9. Screw Torx head T-30 M6x12 | 8 pieces |

Installation

1. Install 19" Adjustable Mounting bracket on left, right, Front and rear side of 19" Adjustable Vented shelf with two of screw M6x12 T-30, flat washer, lock washer and hex flange nut on each side. Align front side of shelf and mounting bracket to be in same plane then tighten all screw. See first image below. (Top Left)

2. Adjust distance between front and rear mounting bracket to be fit to the front and rear vertical mounting channel.

3. Install 8 caged nut M6 on front and rear Vertical mounting channel at desired U number. See balloon 1 to 3 below.

Note : Eight caged nuts at front and rear Vertical mounting channel shall be installed on the upper and lower hole in the same U number.

4. Hold the shelf and rotate clockwise about 30-45 degree [See balloon number 1] then move it inside Arion rack. See balloon number 2.

5. Rotate shelf counter clockwise until top surface is in horizontal level. See balloon number 3.

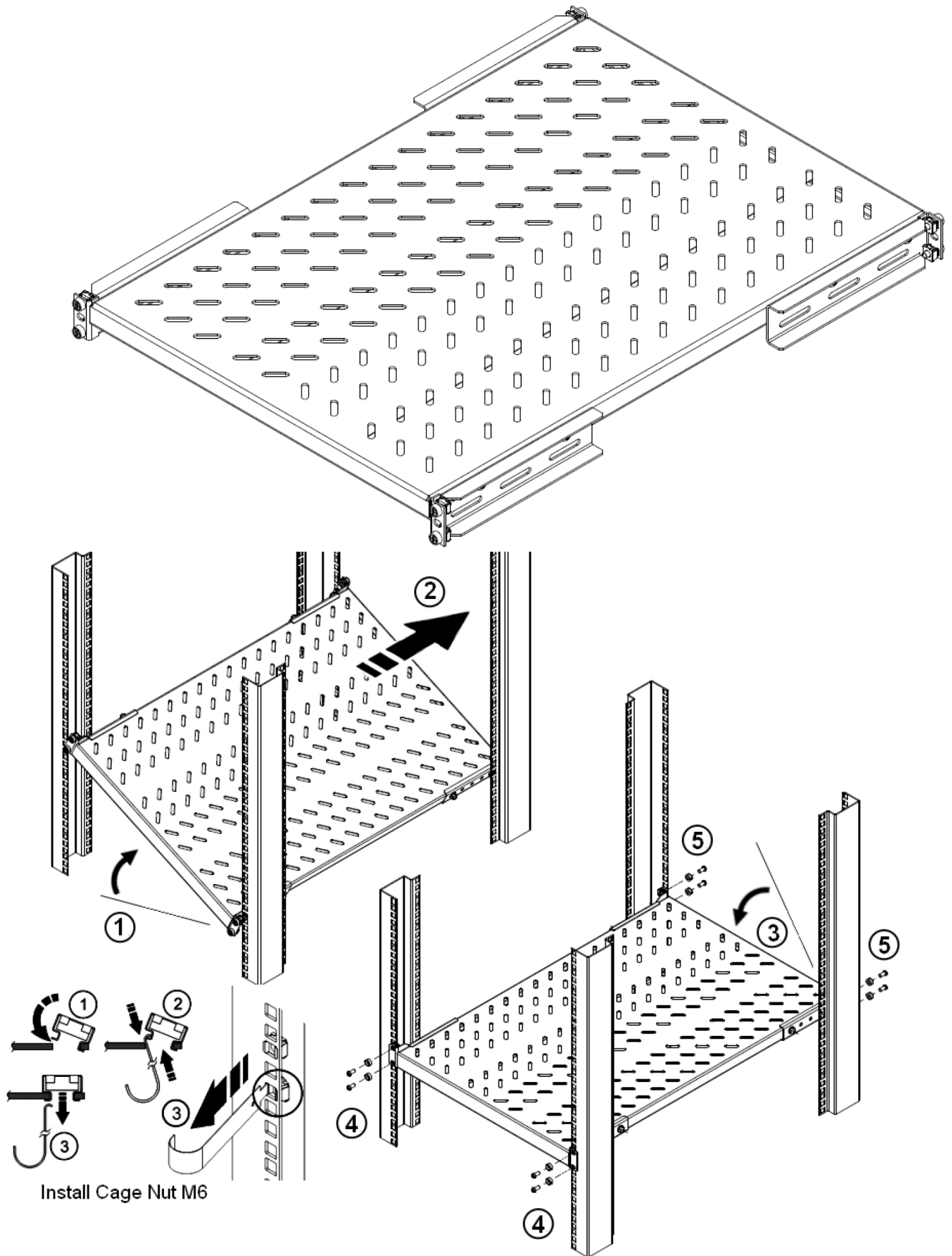
6. Keep rear side of Front mounting bracket touching front side of vertical mounting channel.

Note : Now the rear mounting bracket will stay outside the rear vertical mounting channel

7. Fix shelf to Vertical mounting channel with Phillips M6x16 and plastic washer to 8 cage nut on the rear



side of Vertical mounting channel. See balloon number 4 and 5



Install Cage Nut M6

Note : Torque 40-50 in lbs

