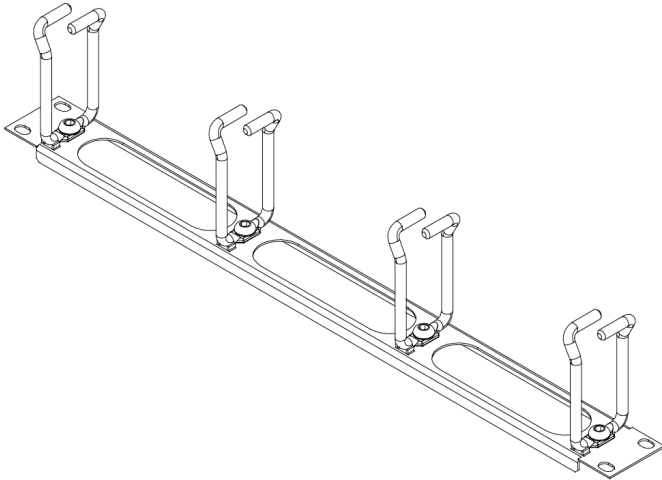


1U Cable Management Panel with Hoops

Product Information

19" rack mounted cable organizer quickly installs onto any 19" standard enclosure. Large cutouts allow convenient passage into the enclosure and sturdy heavy grade steel hoops keep cables neatly arranged.



Features

- Front and side openings for maximum cable routing points.
- 1U rack mount installation
- Heavy duty
- RoHS compliance
- Conforms to ASTM D610-01 and ASTM B117 (500 hours salt spray test)

Materials/Finish

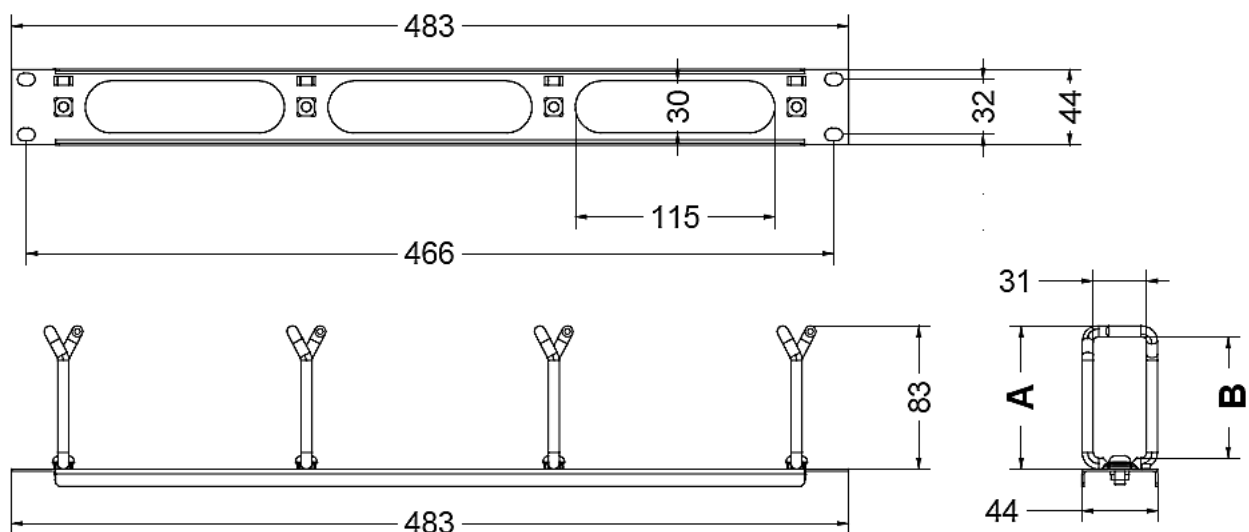
- High grade rod steel 6.0 mm diameter.
- Powder coat finish preceded by 5 stage iron phosphate pre treatment.
- Standard color is low gloss black. Special colors upon request.

Part Code	Description	A	B	# Cables **
CMP2251UPBLK	1U Cable Management Panel 2.25" with Hoops	44	57	45
CMP3251UPBLK	1U Cable Management Panel 3.25" with Hoops	70	83	70

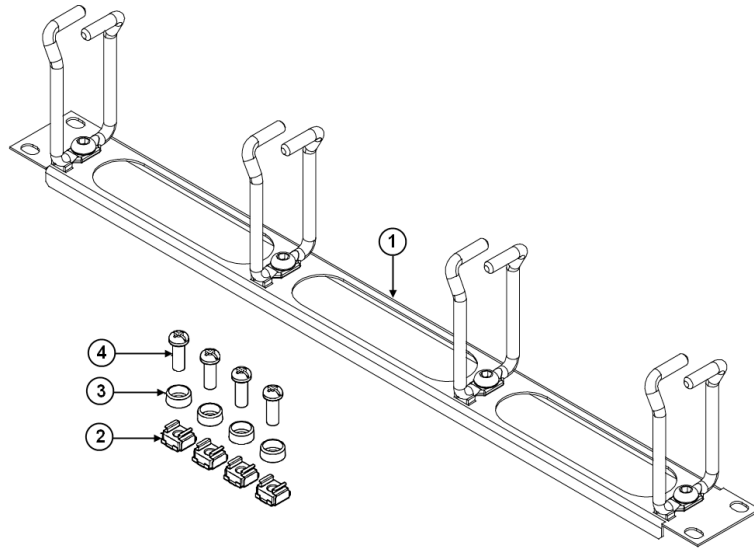
Dimensions are in millimeter

** Approximate number of cables which one hoop can contain, based on CAT 5e cable with average diameter 5.5mm

Dimensions



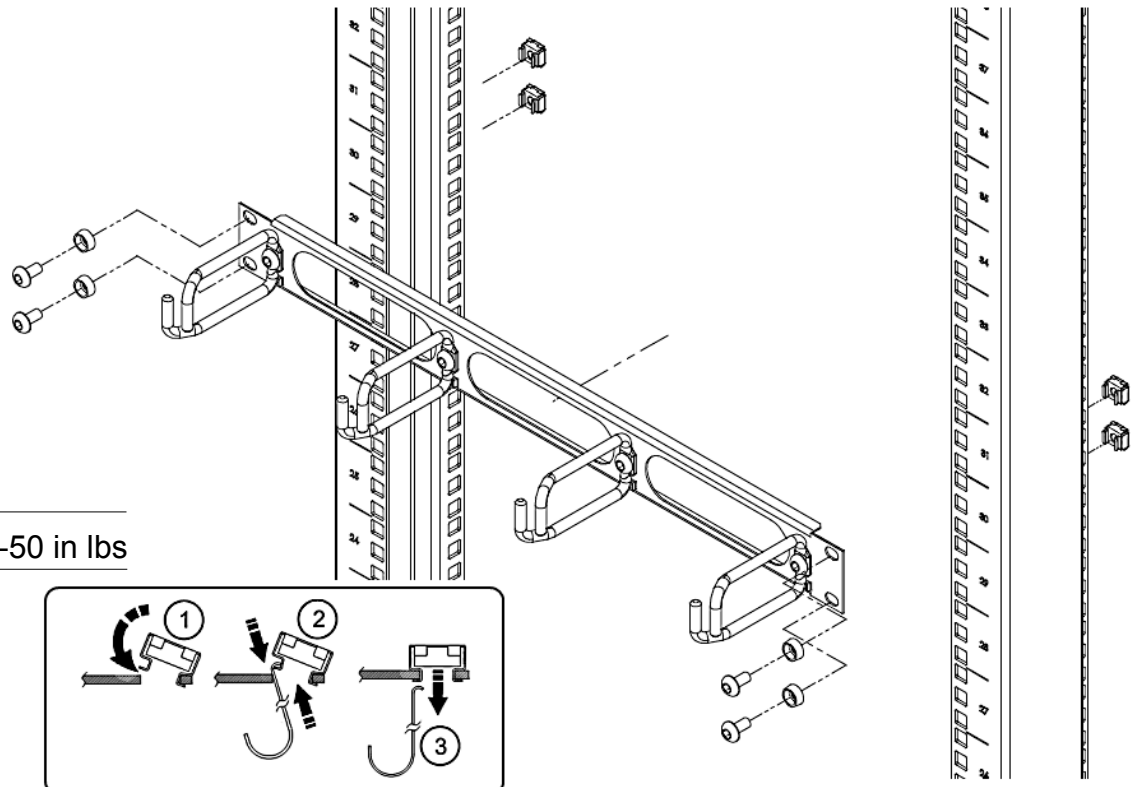
Part List



Description	Quantity
1. 1U Cable Management Panel 2.25" with Hoops	1 piece
2. Cage Nut M6	4 pieces
3. Plastic washer M6	4 pieces
4. Phillips Screw M6x16	4 pieces

Installation

1. Install four piece of cage nut M6 into the top and bottom hole at desire U number on both left and right side of Vertical mounting channel. See balloon 1 to 3 below.
2. Fix the panel to Vertical mounting channel with four of plastic washer and M6x16 Phillips screw.
3. Tighten with torque 45-50 inch lbs.



Note : Torque 40-50 in lbs

