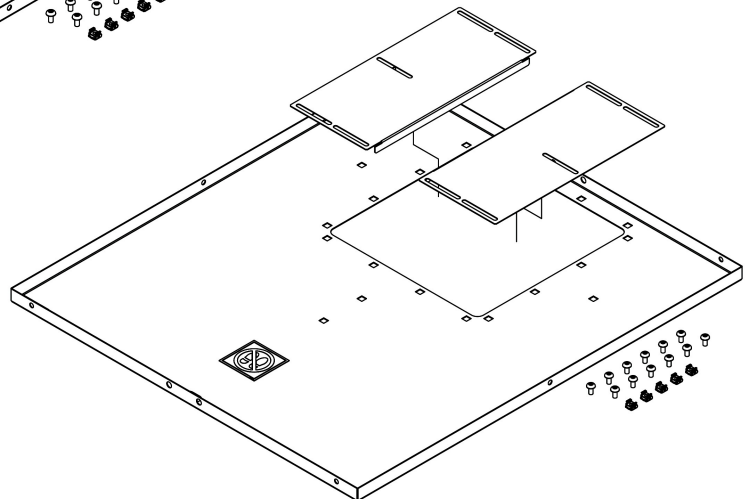
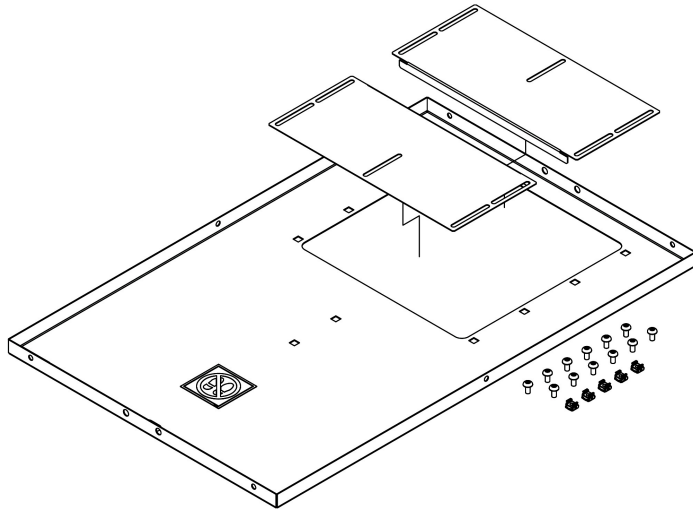


Base Filler Panel Kits

Product Information

Base filler panel kits helps to prevent air leakage, dust and vermin intrusion.

600 W



800 W

Features

- Adjustable Cable entry cover plate
- Decrease air leakage
- Prevent dust and vermin intrusion
- RoHS compliant
- Conforms to ASTM D610-01 and ASTM B117 (500 hours salt spray test)

Materials/Finish

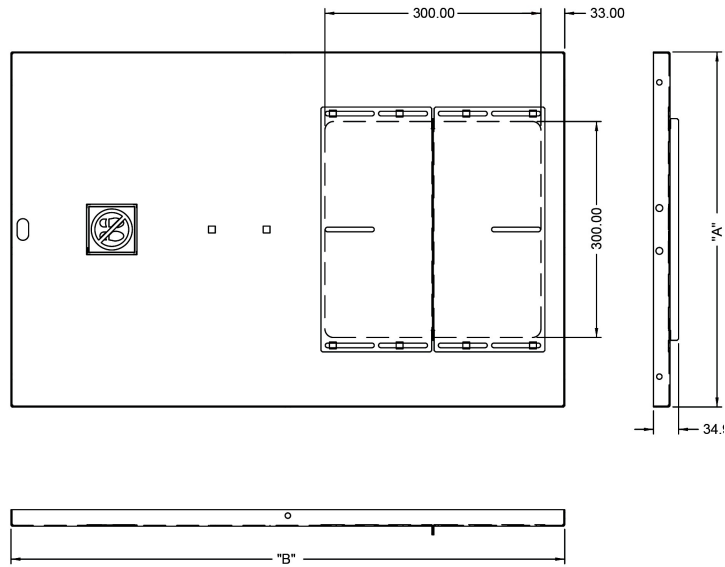
- High grade cold rolled steel 0.9 mm thickness.
- Powder coat finish preceded by 5 stage iron phosphate pre treatment.
- Standard color is low gloss black.



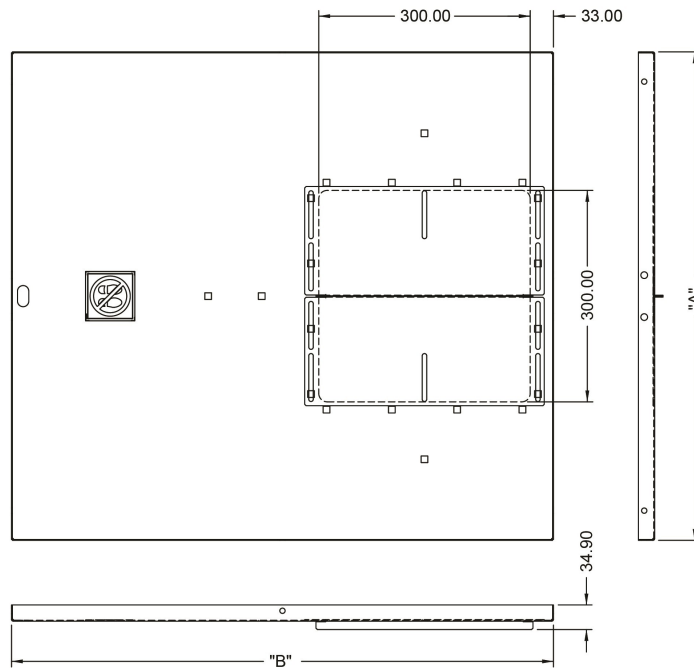
Part Code	Description	A	B
BL610BLK	Base Plate Black 600W 1000D	493	769
BL612BLK	Base Plate Black 600W 1200D	493	969
BL810BLK	Base Plate Black 800W 1000D	693	769
BL812BLK	Base Plate Black 800W 1200D	693	969

Dimensions

600 W



800 W



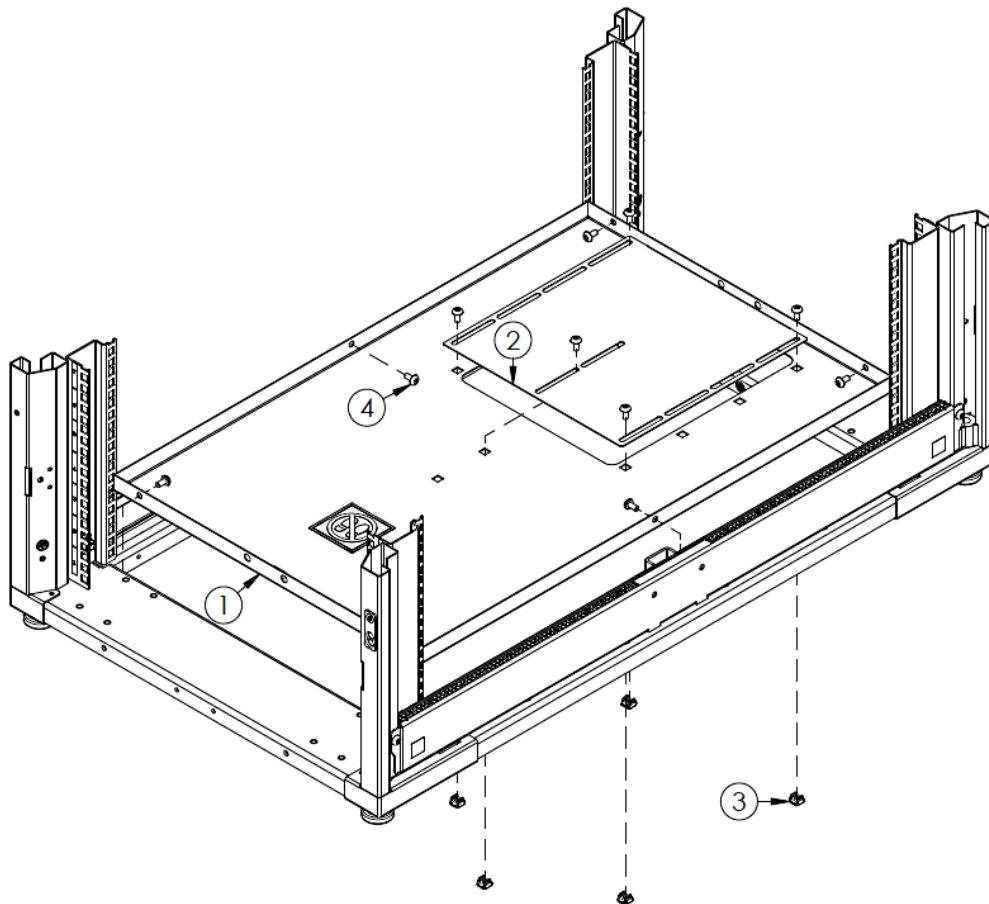
Parts List

Description	Quantity
1. Base Plate Black	1 piece
2. Cable Entry cover plate	1 piece
2. Screw M6x12 T-30	11 pieces
3. Cage Nut M6	5 pieces

Note : See first image on page 1.

Installation

1. Install five cage nut to the square hole around cutout on Base Plate at desired location.
2. Put Base Plate Panel at the big cutout on Base Plate.
 - 2.1 Keep two middle slot at the front side.
 - 2.2 Put assembled Base Plate inside bottom frame
 - 2.3 Align the holes on Base Plate to be the same center as holes on bottom frame.
3. Fix Base Plate to Bottom frame with six of M6x12 screw on left, right, front and rear side.
4. Tighten with torque 25-30 inch lbs.
5. Insert 5 caged nut into required location on Base Plate
6. Put Cable Entry cover plate on Base plate
7. Tighten with 5 of M6x12 screw



Note : Torque 25-30 in lbs

