

## Casters Kit for Arion Rack Product Information

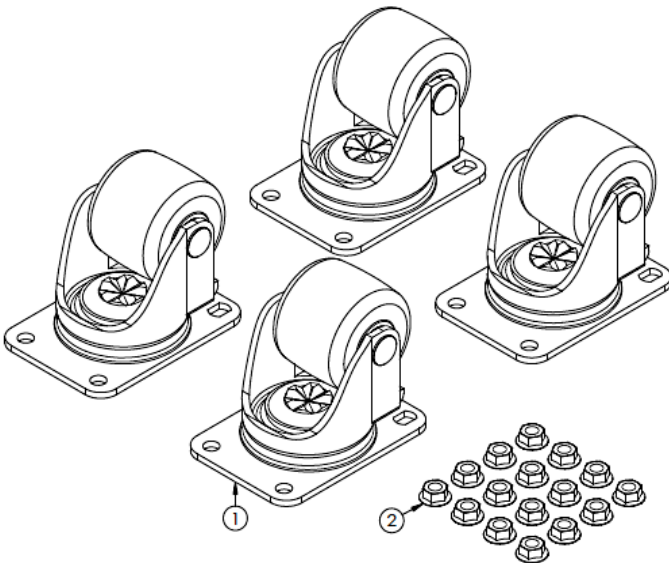
Casters kit allows you to move the rack to installation site or other location.

### Features

- Load rate up to 295 kg per caster
- Mounts direct to bottom frame
- 360 degree swivel
- RoHS compliant

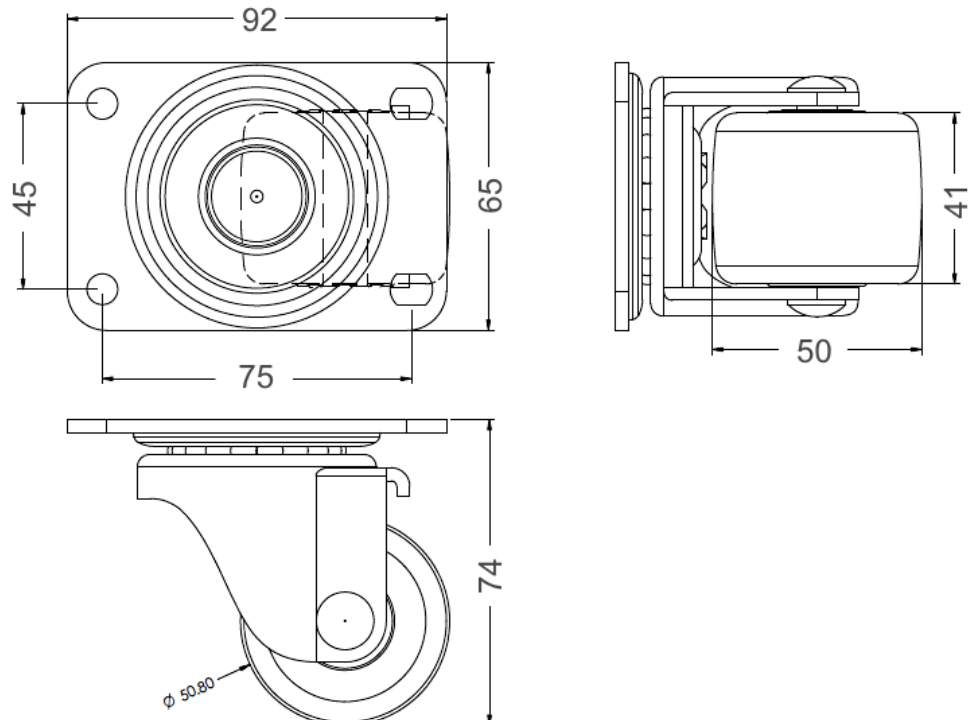
### Materials/Finish

- High grade cold rolled steel 3.0 mm thickness.
- Heavy duty Nylon mix wheels, UL-94 HB compliant
- Clear zinc plated metal plate.



Part Code	Description
CAS2P	Arion casters kit (set of 4)

### Dimensions



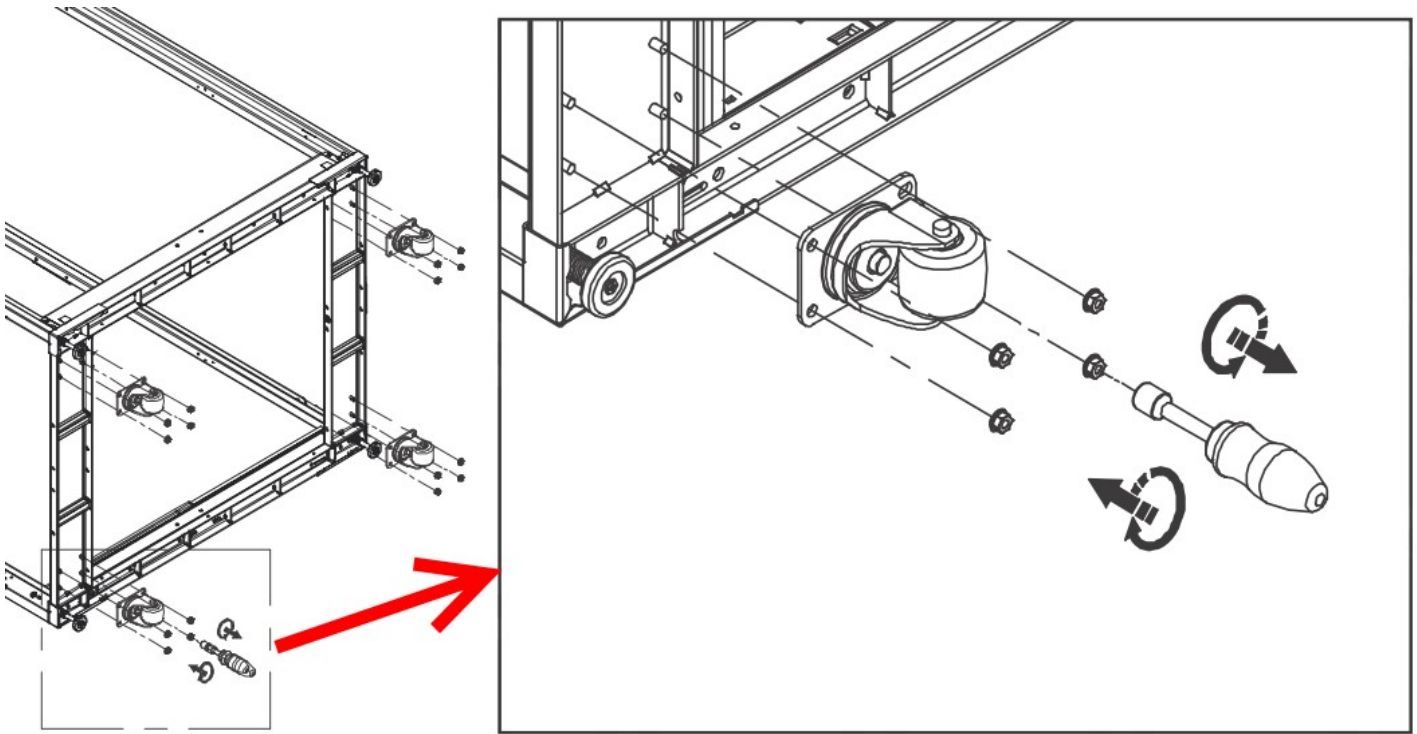
### Part List

Description	Quantity
1. Caster Wheel	4 pieces
2. Flange Nut M6	16 pieces



## Installation

1. Remove all Side Panel , Front and Rear door from Arion rack.
2. Lay down Arion rack flat on the floor or assembly table.
3. Install four casters to Frame bottom of Arion rack following figure below.
4. Fix caster to Frame bottom with flange Nut M6 4 pieces on each caster.
5. Tighten with torque 75-90 inch lbs.



**Note :** Torque 75-90 in lbs

**Safety Note!** Once the Arion cabinet is in final location, the leveling feet should be extended down to support the cabinet. The cabinet should not be left resting on the casters alone as the cabinet may move unexpectedly or the casters may develop flat spots if left for extended periods of time and under heavy load.

