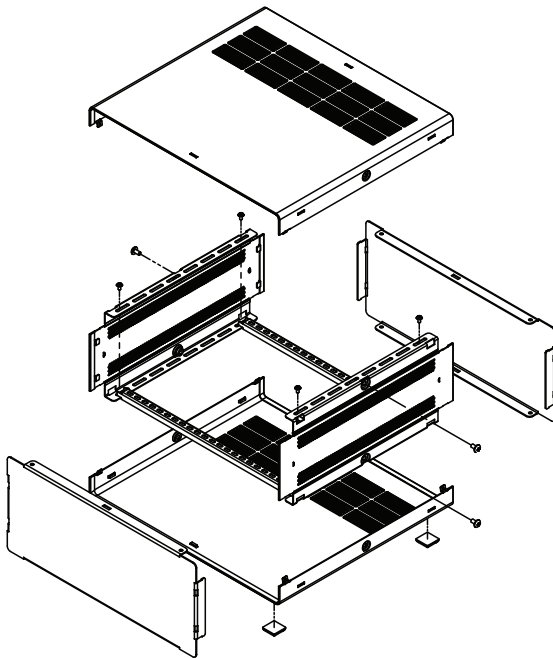



SA SERIES

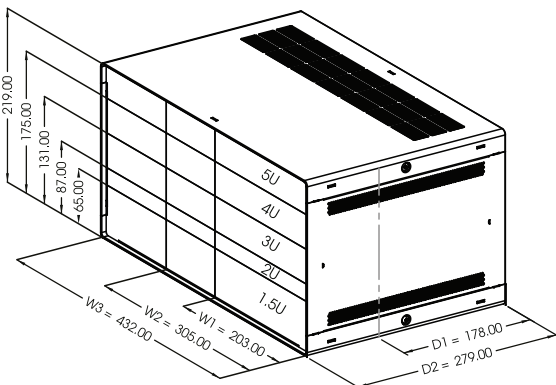


Our SA Series of stand alone general use electronic enclosures is a highly versatile line of quality enclosures for both industrial and hobbyist use. The rugged steel body provides easy access to the components being assembled inside. The Aluminum front and rear panels are ideal for end user customization. Available in 24 different sizes and configurations, the SA Series enclosures come flat packed and its unique “snap together” design requires only 4 screws to complete the assembly.



Standards and Materials

- Heights from 1.5U to 5U
- Widths of 230mm, 305mm and 432mm
- Depths of 178mm and 279mm
- Dimensions conform to IEC-297.
- Premium grade cold rolled steel and aluminum extrusion rails.
- Designed and manufactured under ISO 9001:2008 and ISO 14001:2004
- Five stage iron-phosphate pretreatment with powder coat finish. Tested to 500 hours salt spray under ASTM-D610-01 and ASTM-B117.
- All materials RoHS compliant. 



Model Code	Dimension (MM.) H x D x W	Model Code	Dimension (MM.) H x D x W
1.5U-D1-W1	65 X 178 X 203	3U-D1-W2	131 X 178 X 305
1.5U-D1-W2	65 X 178 X 305	3U-D1-W3	131 X 178 X 432
1.5U-D1-W3	65 X 178 X 432	3U-D2-W1	131 X 279 X 203
1.5U-D2-W1	65 X 279 X 203	3U-D2-W2	131 X 279 X 305
1.5U-D2-W2	65 X 279 X 305	3U-D2-W3	131 X 279 X 432
1.5U-D2-W3	65 X 279 X 432	4U-D1-W2	175 X 178 X 305
2U-D1-W1	87 X 178 X 203	4U-D1-W3	175 X 178 X 432
2U-D1-W2	87 X 178 X 305	4U-D2-W1	175 X 279 X 203
2U-D1-W3	87 X 178 X 432	4U-D2-W2	175 X 279 X 305
2U-D2-W1	87 X 279 X 203	4U-D2-W3	175 X 279 X 432
2U-D2-W2	87 X 279 X 305	5U-D2-W1	219 X 279 X 203
2U-D2-W3	87 X 279 X 432	5U-D2-W2	219 X 279 X 305
		5U-D2-W3	219 X 279 X 432

